



Elementary School Calculator - Sample

Problems 1-50

Name: _____

School (Team): _____

Grade: _____

Correct: _____

Incorrect: _____

Significant Digit (Decimal Place) Errors: _____

SCORE: $(5 \times \text{Correct} - 2 \times \text{Inc} - 2 \times \text{SD} =)$ _____

Scorer's Initials: _____ Scorer's Initials: _____

DO NOT BEGIN UNTIL YOU ARE INSTRUCTED TO DO SO

This is a 20-minute test. There are 50 problems. (NOTE: This SAMPLE test only has 30 problems). Using your calculator, solve accurately and quickly as many as you can in the order in which they appear. You may use scratch paper. Write each answer in the space provided.

All answers will be between 9.99 and -9.99. Write all answers to the hundredths digit. All answers to money problems should be written with dollars and cents (for example, \$1.23)
Examples of correct answers: 1.23, 8.70, -4.31, 0.45. Examples of incorrect answers: 1, 1.2, -4.

A digit error of ± 1 in the hundredths digit is permitted (i.e. if the answer is 1.23, then 1.22 and 1.24 would be accepted). For money problems, errors of plus or minus one cent are accepted.

Providing a correct answer with too many significant digits (for example: 1.234) is considered a Significant Digit Error. The problem will be counted as Correct, but points will be deducted for the Significant Digit Error.

Scoring: Five points will be awarded for every correct answer. For every incorrect answer or skipped problem (up to the last problem attempted), two points will be deducted. For every Significant Digit Error on a correct answer, two points will be deducted. No deduction is taken after the last problem attempted.

THIS PAGE INTENTIONALLY LEFT BLANK

THIS PAGE INTENTIONALLY LEFT BLANK

THIS PAGE INTENTIONALLY LEFT BLANK

THIS PAGE INTENTIONALLY LEFT BLANK

THIS PAGE INTENTIONALLY LEFT BLANK

THIS PAGE INTENTIONALLY LEFT BLANK

THIS PAGE INTENTIONALLY LEFT BLANK

THIS PAGE INTENTIONALLY LEFT BLANK

THIS PAGE INTENTIONALLY LEFT BLANK

THIS PAGE INTENTIONALLY LEFT BLANK

THIS PAGE INTENTIONALLY LEFT BLANK

THIS PAGE INTENTIONALLY LEFT BLANK

THIS PAGE INTENTIONALLY LEFT BLANK

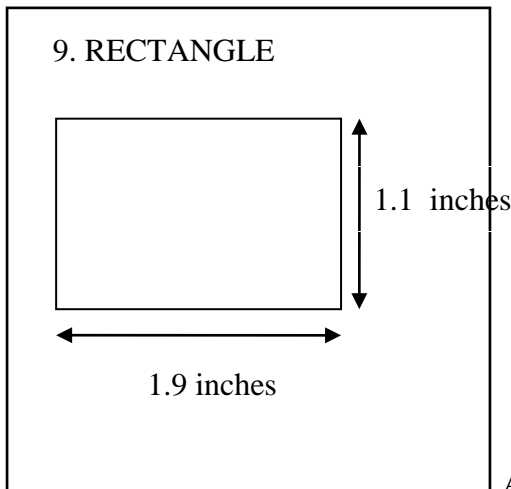
THIS PAGE INTENTIONALLY LEFT BLANK

THIS PAGE INTENTIONALLY LEFT BLANK

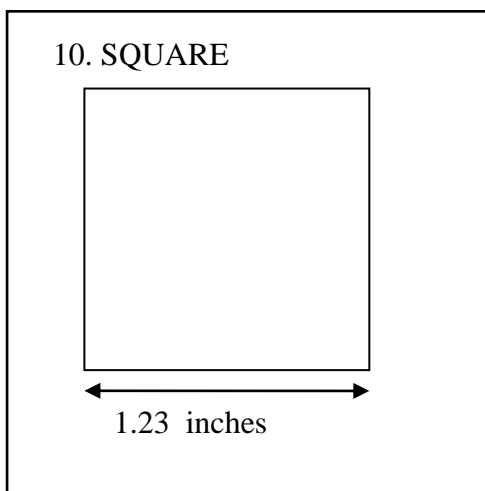
THIS PAGE INTENTIONALLY LEFT BLANK

THIS PAGE INTENTIONALLY LEFT BLANK

1. $2.90 + 6.65 =$ _____
2. $9.83 - 4.37 =$ _____
3. $2.6 \times 3.8 =$ _____
4. $1.9 \times 8.1 - 6.2 =$ _____
5. $5.98 - 8.1 \times 0.2 =$ _____
6. A grape costs 19 cents. How much does 46 grapes cost? \$_____
7. There are 2.5 urgs in an burg. How many burgs is 14.05 urgs? _____ (burgs)
8. There are 1.6 oinks in a point. How many oinks is 3.9 points? _____ (oinks)



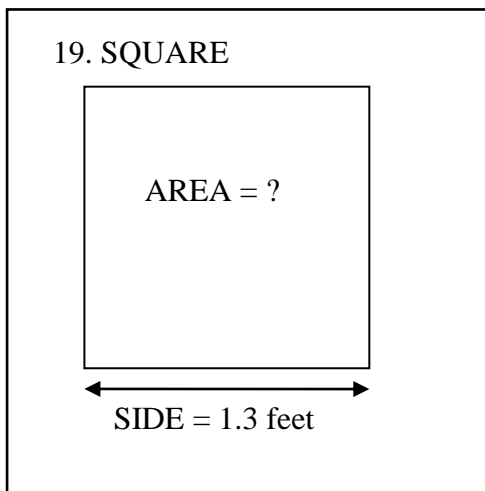
9. AREA = _____ (sq inches)



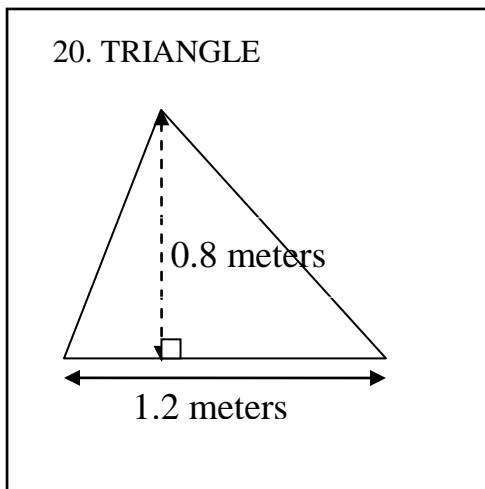
10. PERIMETER = _____ (inches)

11. $3.82 + 7.83 - 2.14 =$ _____

12. $(2.1 \times 4.6) - 2.31 =$ _____
13. $-1.00 - 8.44 + 4.76 =$ _____
14. $(2.3 \times 2.9) - 0.69 =$ _____
15. $(-3.7 \times -2.8) - (9.4 \times 1.2) =$ _____
16. Eleanor babysat for 4 hours at \$9.90 per hour. She used her earnings to buy 7.2 pounds of granola at \$4.30 per pound. How much money did she have left? \$_____
17. One vroom is 0.6 zoom. How many zooms is 9.2 vrooms? _____ (zooms)
18. A keck is worth 4.3 pecks. Anna converts 7 kecks to pecks, then buys 9 loaves of teff for 3.08 pecks each. How many pecks does she have left? _____ (francs)



19. AREA = _____ (square feet)



20. AREA = _____ (sq meters)

REMEMBER TO ROUND YOUR ANSWERS TO THE HUNDREDTHS PLACE

21. $(8.17 - 9.10) \times 9.26 =$ _____

22. $(3.57 \times 3.55) - 9.68 =$ _____

23. $\frac{-9.85}{2.57} =$ _____

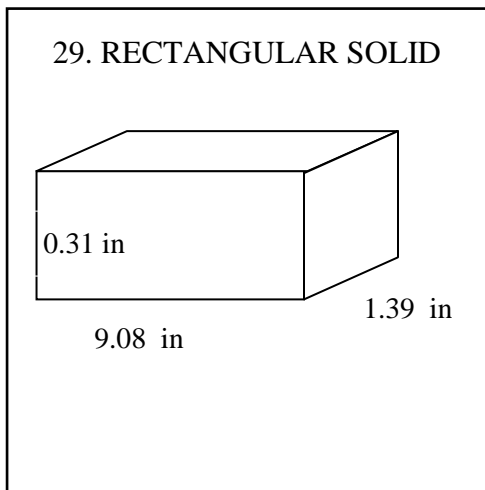
24. $\frac{4.45}{-5.39} + \frac{8.88}{9.49} =$ _____

25. $\frac{(1.53 - 2.98)}{(1.75 - 3.56)} =$ _____

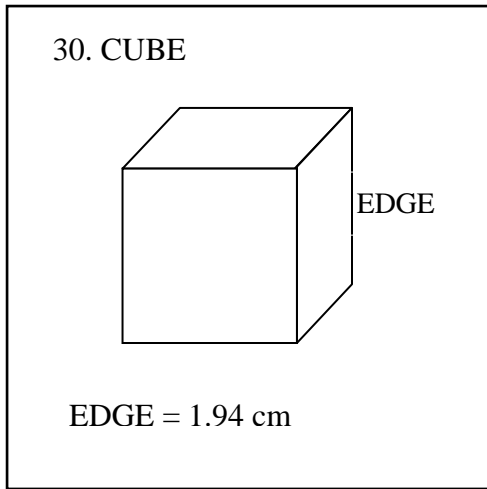
26. What is the average of the following set of numbers: (-1.92, 2.86, 4.80, 3.78)?

27. If one ooga = 7.90 googas, how many oogas is 65.55 googas? _____ (oogas)

28. Deeba runs 22.88 miles in 5.68 hours. What is her average running speed, in miles per hour?
_____ (mph)



29. VOLUME = _____ (in^3)



30. VOLUME = _____ (cm^3)

END OF TEST

Calculator Answers

- | | |
|---------------------|----------------------------|
| 1. 9.55 | 16. \$8.64 |
| 2. 5.46 | 17. 5.52 (zooms) |
| 3. 9.88 | 18. 2.38 (pecks) |
| 4. 9.19 | 19. 1.69 (square feet) |
| 5. 4.36 | 20. 0.48 (sq meters) |
| 6. \$8.74 | 21. -8.61 |
| 7. 5.62 (burgs) | 22. 2.99 |
| 8. 6.24 (oinks) | 23. -3.83 |
| 9. 2.09 (sq inches) | 24. 0.11 |
| 10. 4.92 (inches) | 25. 0.80 |
| 11. 9.51 | 26. 9.52 |
| 12. 7.35 | 27. 8.30 |
| 13. -4.68 | 28. 3.99 |
| 14. 5.98 | 29. 3.91 (in^3) |
| 15. -0.92 | 30. 7.30 (cm^3) |